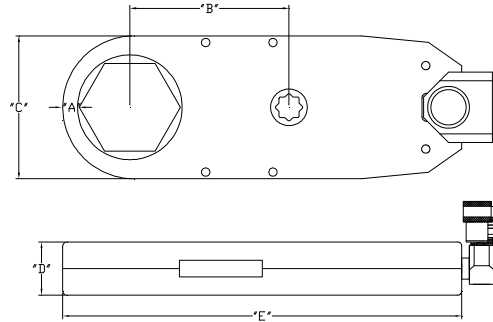
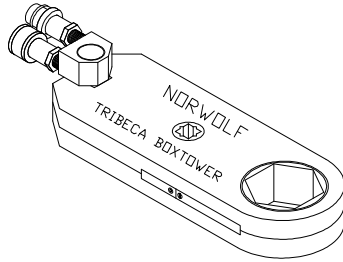




BOXTOWER™ SERIES



IMPERIAL

BOXTOWER 2						
MAXIMUM TORQUE: 1588 FT. LBS. @ 10K PSI						
PART NO.	HEX	"A"	"B"	"C"	"D"	"E"
BXT2-162	1-5/8"	.42"	3.60"	3.23"	1.20"	8.87"
BXT2-181	1-13/16"	.42"	3.60"	3.23"	1.20"	8.98"
BXT2-200	2"	.42"	3.60"	3.23"	1.20"	9.08"
BXT2-218	2-3/16"	.42"	3.60"	3.23"	1.20"	9.19"

BOXTOWER 4						
MAXIMUM TORQUE: 3970 FT. LBS. @ 10K PSI						
PART NO.	HEX	"A"	"B"	"C"	"D"	"E"
BXT4-218	2-3/16"	.56"	4.80"	4.30"	1.60"	11.84"
BXT4-237	2-3/8"	.56"	4.80"	4.30"	1.60"	11.94"
BXT4-256	2-9/16"	.56"	4.80"	4.30"	1.60"	12.05"
BXT4-275	2-3/4"	.56"	4.80"	4.30"	1.60"	12.16"

BOXTOWER 8						
MAXIMUM TORQUE: 7980 FT. LBS. @ 10K PSI						
PART NO.	HEX	"A"	"B"	"C"	"D"	"E"
BXT8-275	2-3/4"	.70"	6"	5.38"	2"	14.81"
BXT8-293	2-15/16"	.70"	6"	5.38"	2"	14.91"
BXT8-312	3-1/8"	.70"	6"	5.38"	2"	15.02"
BXT8-350	3-1/2"	.70"	6"	5.38"	2"	15.24"

BOXTOWER 16						
MAXIMUM TORQUE: 13,355 FT. LBS. @ 10K PSI						
PART NO.	HEX	"A"	"B"	"C"	"D"	"E"
BXT16-350	3-1/2"	.84"	7.20"	6.45"	2.40"	17.88"
BXT16-387	3-7/8"	.84"	7.20"	6.45"	2.40"	18.10"
BXT16-425	4-1/4"	.84"	7.20"	6.45"	2.40"	18.31"
BXT16-462	4-5/8"	.84"	7.20"	6.45"	2.40"	18.53"

BOXTOWER 32						
MAXIMUM TORQUE: 31,760 FT. LBS. @ 10K PSI						
PART NO.	HEX	"A"	"B"	"C"	"D"	"E"
BXT32-462	4-5/8"	1.12"	9.60"	8.60"	3.20"	23.82"
BXT32-500	5"	1.12"	9.60"	8.60"	3.20"	24.04"
BXT32-537	5-3/8"	1.12"	9.60"	8.60"	3.20"	24.25"
BXT32-575	5-3/4"	1.12"	9.60"	8.60"	3.20"	24.47"

METRIC

BOXTOWER 2						
MAXIMUM TORQUE: 2095 Nm @ 700 BAR						
PART NO.	HEX	"A"	"B"	"C"	"D"	"E"
BXT2-41MM	41mm	11	91	82	30	225
BXT2-46MM	46mm	11	91	82	30	228
BXT2-50MM	50mm	11	91	82	30	231
BXT2-55MM	55mm	11	91	82	30	233

BOXTOWER 4						
MAXIMUM TORQUE: 5382 Nm @ 700 BAR						
PART NO.	HEX	"A"	"B"	"C"	"D"	"E"
BXT4-55MM	55mm	14	122	109	41	301
BXT4-60MM	60mm	14	122	109	41	303
BXT4-65MM	65mm	14	122	109	41	306
BXT4-70MM	70mm	14	122	109	41	309

BOXTOWER 8						
MAXIMUM TORQUE: 9694 Nm @ 700 BAR						
PART NO.	HEX	"A"	"B"	"C"	"D"	"E"
BXT8-70MM	70mm	18	152	137	51	376
BXT8-75MM	75mm	18	152	137	51	379
BXT8-80MM	80mm	18	152	137	51	382
BXT8-90MM	90mm	18	152	137	51	387

BOXTOWER 16						
MAXIMUM TORQUE: 16,751 Nm @ 700 BAR						
PART NO.	HEX	"A"	"B"	"C"	"D"	"E"
BXT16-90MM	90mm	21	183	164	61	454
BXT16-100MM	100mm	21	183	164	61	460
BXT16-110MM	110mm	21	183	164	61	465
BXT16-120MM	120mm	21	183	164	61	471

BOXTOWER 32						
MAXIMUM TORQUE: 39,698 Nm @ 700 BAR						
PART NO.	HEX	"A"	"B"	"C"	"D"	"E"
BXT32-120MM	120mm	28	244	218	81	605
BXT32-125MM	125mm	28	244	218	81	611
BXT32-130MM	130mm	28	244	218	81	616
BXT32-145MM	145mm	28	244	218	81	622