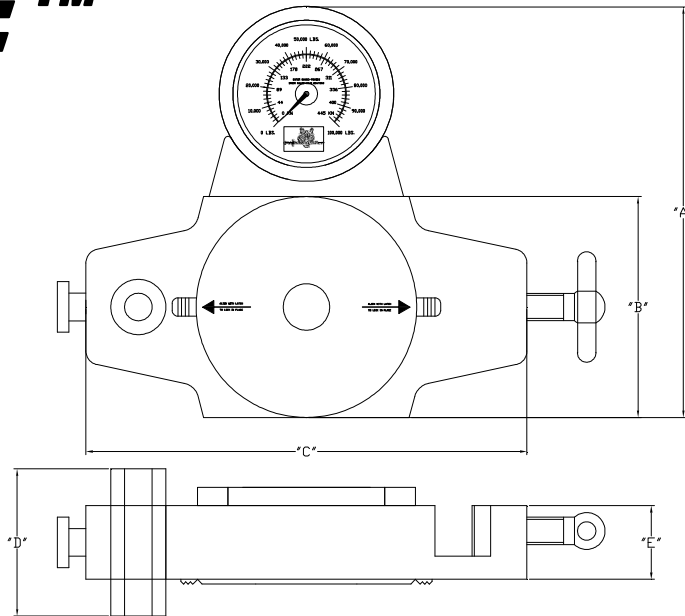
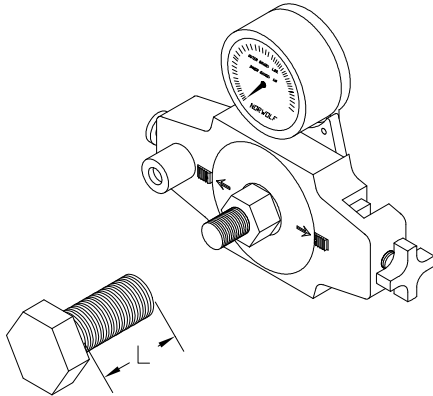




# CALIBORE™



REQUIRED MINIMUM BOLT LENGTH		
CBT 100	BOLT DIAMETER	CBT 125
1-5/8" L	5/8"	1-5/8" L
1-3/4" L	3/4"	1-3/4" L
1-7/8" L	7/8"	1-7/8" L
2" L	1"	3" L
3-1/8" L	1-1/8"	3-1/8" L
3-1/4" L	1-1/4"	3-1/4" L
CBT 200	BOLT DIAMETER	CBT 250
3-1/8" L	1-3/8"	3-3/4" L
3-1/4" L	1-5/8"	3-7/8" L
3-3/8" L	1-1/2"	4" L
3-1/2" L	1-3/4"	4-1/8" L
4-3/8" L	1-7/8"	4-3/8" L
4-1/2" L	2"	4-1/2" L

CALIBORE BOLT CALIBRATOR						
MODEL	"A"	"B"	"C"	"D"	"E"	WEIGHT*
CBT - 100	11.15"	6"	12"	4"	2"	17.50 lbs.
CBT - 125	11.15"	6"	12"	4"	2"	17.50 lbs.
CBT - 200	13.13"	8"	14.20"	5"	2.5"	30 lbs.
CBT - 250	13.13"	8"	14.20"	5"	2.5"	30 lbs.

\* Weight is basic unit - does not include front plate or rear bushing.  
 Larger units available upon request.

CBT-100	DESCRIPTION			CBT-125
CBT-100	BASIC UNIT for bolts ranging in size from 1/2" to 1-1/4"			CBT-125
CBT-100-K4	BASIC UNIT with (4) PLATE SET SIZES: 7/8", 1" 1-1/8" and 1-1/4"			CBT-125-K4
CBT-100-K6	BASIC UNIT with (6) PLATE SET SIZES: 5/8", 3/4", 7/8", 1" 1-1/8" and 1-1/4"			CBT-125-K6
	STANDARD HEX SIZE	BOLT DIAMETER	HEAVY HEX SIZE	
CBT-100-PS-062-(H) (S)	15/16"	5/8" Plate and Hex Bushing	1-1/16"	CBT-125-PS-062-(H) (S)
CBT-100-PS-075-(H) (S)	1-1/8"	3/4" Plate and Hex Bushing	1-1/4"	CBT-125-PS-075-(H) (S)
CBT-100-PS-087-(H) (S)	1-5/16"	7/8" Plate and Hex Bushing	1-7/16"	CBT-125-PS-087-(H) (S)
CBT-100-PS-100-(H) (S)	1-1/2"	1" Plate and Hex Bushing	1-5/8"	CBT-125-PS-100-(H) (S)
CBT-100-PS-112-(H) (S)	1-11/16"	1-1/8" Plate and Hex Bushing	1-13/16"	CBT-125-PS-112-(H) (S)
CBT-100-PS-125-(H) (S)	1-7/8"	1-1/4" Plate and Hex Bushing	2"	CBT-125-PS-125-(H) (S)

CBT-200	DESCRIPTION			CBT-250
CBT-200	BASIC UNIT for bolts ranging in size from 1-3/8" to 2"			CBT-250
	STANDARD HEX SIZE	BOLT DIAMETER	HEAVY HEX SIZE	
CBT-200-PS-137-(H) (S)	2-1/16"	1-3/8" Plate and Hex Bushing	2-3/16"	CBT-250-PS-137-(H) (S)
CBT-200-PS-150-(H) (S)	2-1/4"	1-1/2" Plate and Hex Bushing	2-3/8"	CBT-250-PS-150-(H) (S)
CBT-200-PS-162-(H) (S)	2-7/16"	1-5/8" Plate and Hex Bushing	2-9/16"	CBT-250-PS-162-(H) (S)
CBT-200-PS-175-(H) (S)	2-5/8"	1-3/4" Plate and Hex Bushing	2-3/4"	CBT-250-PS-175-(H) (S)
CBT-200-PS-187-(H) (S)	2-13/16"	1-7/8" Plate and Hex Bushing	2-15/16"	CBT-250-PS-187-(H) (S)
CBT-200-PS-200-(H) (S)	3"	2" Plate and Hex Bushing	3-1/8"	CBT-250-PS-200-(H) (S)