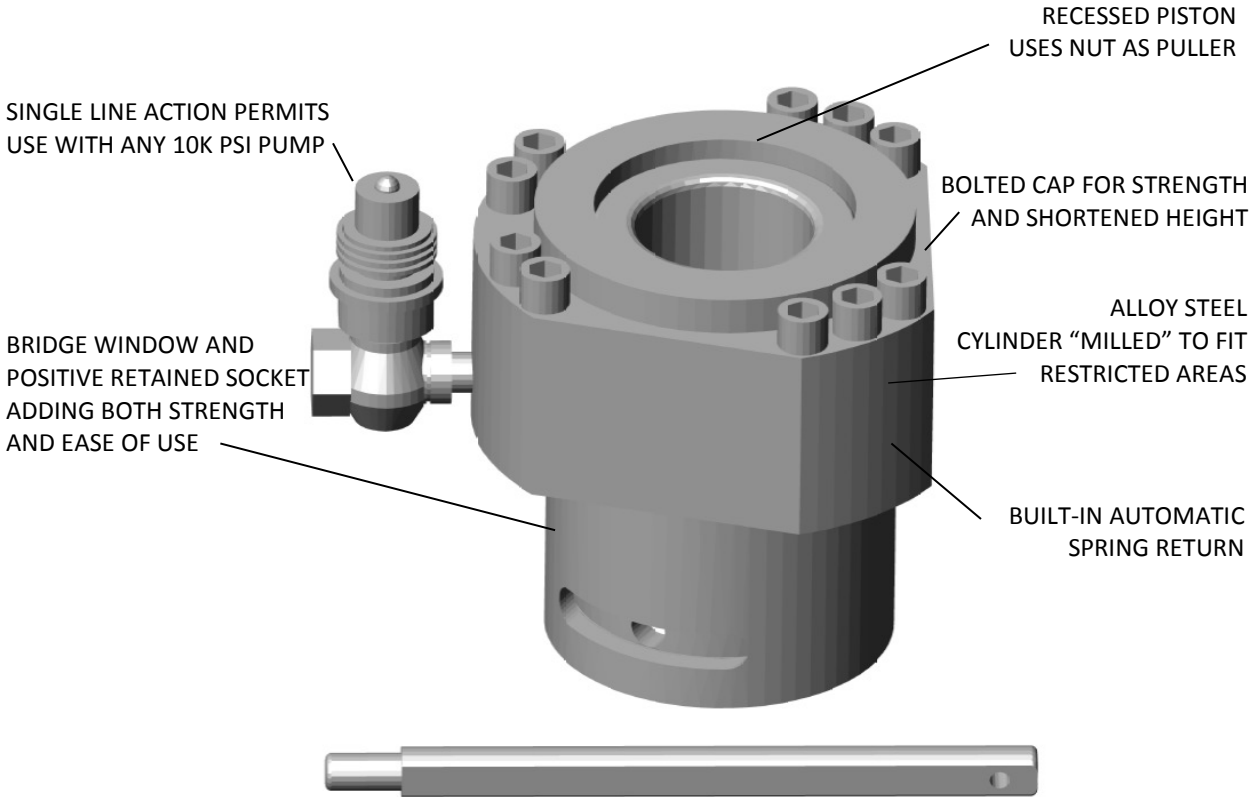




T-CON

BOLT TENSIONER



T-CON HYDRAULIC BOLT TENSIONER			
	BOLT RANGE	MAX. LOAD @ 10k PSI	STROKE
TCON K-92	WILLIAMS #10 ROD	92k LBS.	.28"
TCON K-112	WILLIAMS #11 ROD	112k LBS.	.375"
TCON K-130	WILLIAMS #11 ROD	130k LBS.	.375"
TCON K-160	WILLIAMS #14 ROD	160k LBS.	.500"